

WALL PACK

WP1-LED



YYZ Wallpack light is made of die-cast aluminum which ensure excellent heat dissipation and IK08 protection against the impact on the fixture. These luminaires are perfect for illuminating pathways and perimeters, giving pedestrians a greater sense of security around commercial locations, educational institutions, or residences.

FEATURES

HOUSING	Die-cast aluminum
FINISH	Black, White
RATED POWER	30W, 50W, 60W, 70W, 100W
WORKING VOLTAGE	120 -277V
BEAM ANGLE	87°x118°
MOUNTING	Wall mounted
LAMP LIFE	75,000 hrs
DIMENSIONS	391x252x244mm
AMBIENT TEMPERATURE	-30° C - +50° C
CONTROL	Switching, 0-10V
OPTIC	Glass diffuser
LUMEN	129 lm/W

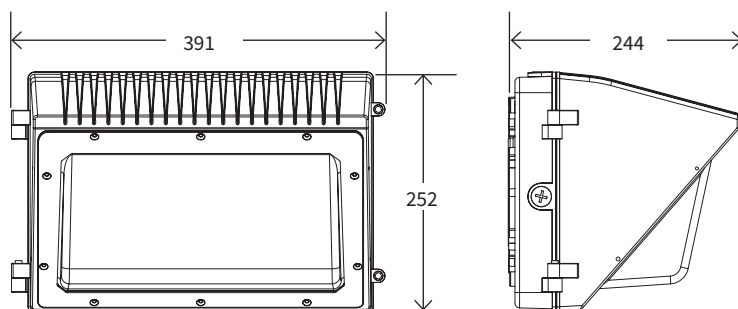


- LUMILEDS
LED Quality
- 120-277V AC
Working Voltage
- 30W/50W/60W/70W/100W
Rated power

ELECTRICAL DATA

RATED POWER	30W, 50W, 60W, 70W, 100W
COLORS	3000K, 4000K, 5000K
CRI	70
LUMEN OUTPUT	129lm/W

DIMENSION



ORDERING LOGIC

PRODUCT	WATTAGE	COLOR TEMPERATURE	CONTROL	DIFFUSER	FINISH	
WP1-LED	30 - 30W	(CT30)	3000K	S - Switching	G - Glass	BK - Black
	50 - 50W	(CT40)	4000K	D - 0-10V Dimming		WH - White
	60 - 60W	(CT50)	5000K			
	70 - 70W	(CTXX)	Custom			
	100 - 100W					

Sample: WP1 - LED - 30 - CT30 - S - G - BK